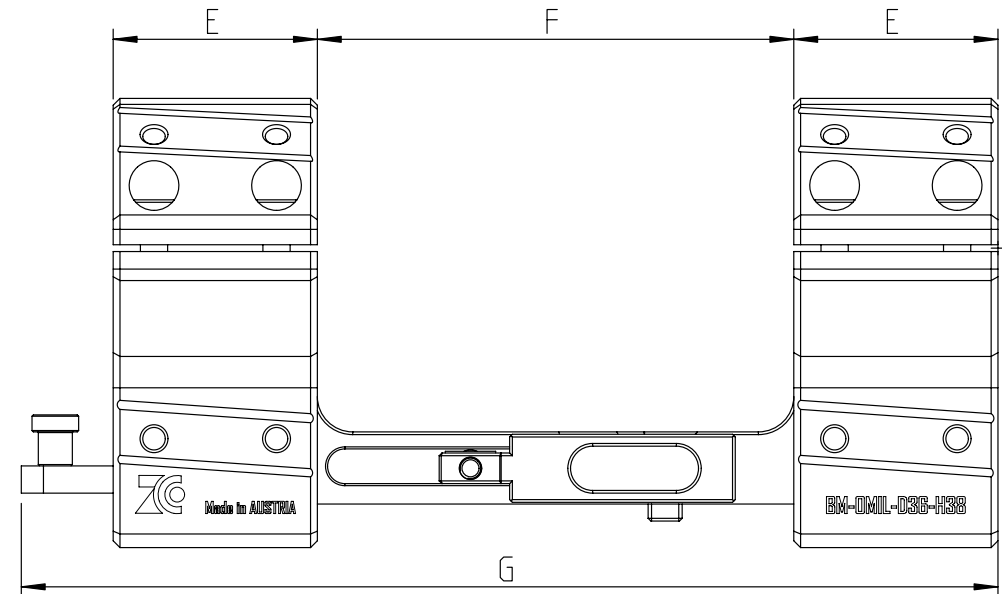
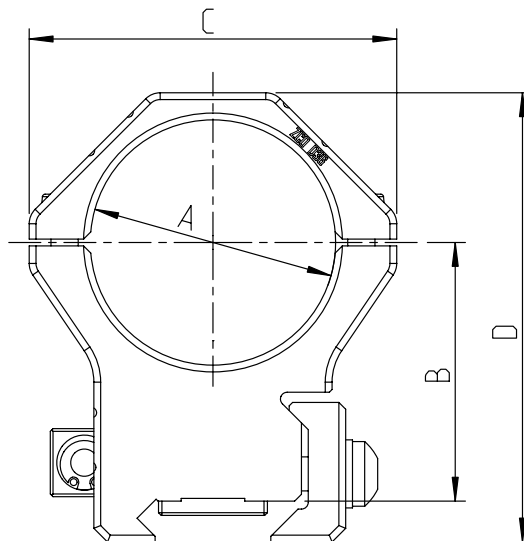
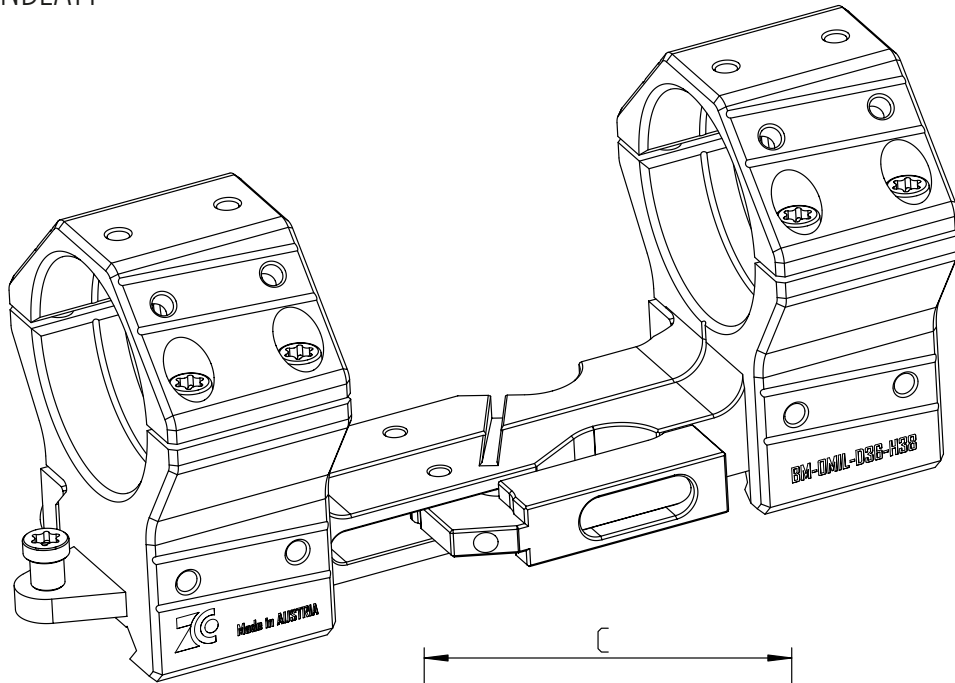


supporting your precision

ZCO BM-0MIL/6MIL-D36-H38

DATENBLATT



Abmaß	A	B	C	D	E	F	G
[mm]	36	38	54	66	30	70	144

Bestellnummer	Montage
400-0377-BM-0MIL-D36-H38	OMOA
400-0466-BM-0MIL-D36-H38	OMOA FDE
400-0378-BM-6MIL-D36-H38	20.6MOA
400-0467-BM-6MIL-D36-H38	20.6MOA FDE

Technische Details	
Gewicht Blockmontage	320g
Gewicht mit Libelle	330g
Befestigungsart	Picatigny-Schiene
Material	EN AW-7075
Erweiterungen	Klapplibelle
	Flimmerbandbuchse

www.zcompotic.com

Headquater

Bäckerstraße 1
2433 Margarethen am Moos, Austria
+43 2230 20270-134
sales-international@zcompotic.com

North America

9190 Lower Fords Creek Rd
Orofino, ID 83544
(208)-435-4000
sales@zcompotic.com

2023 © Zero Compromise Optic GmbH | All rights reserved. No guarantee for correctness and accuracy of the information contained.