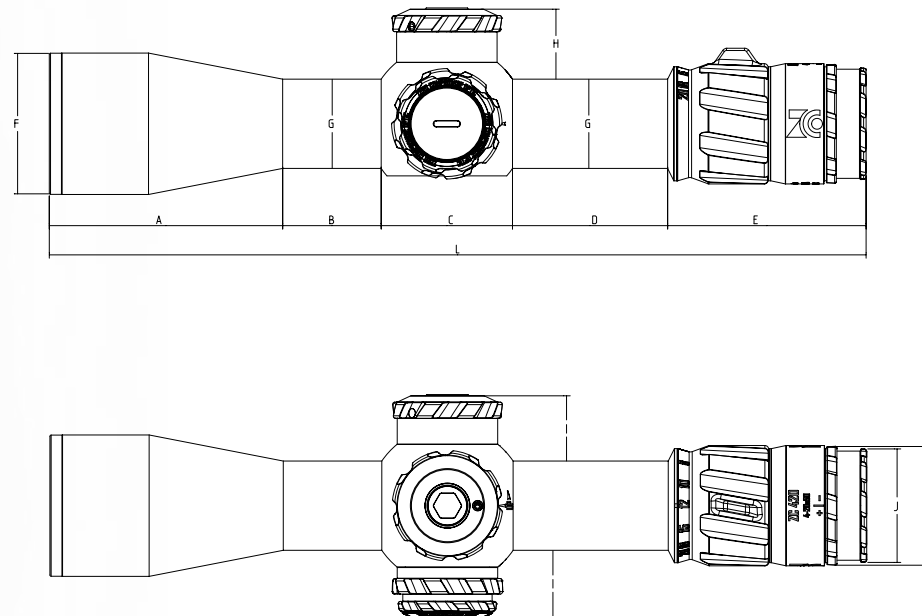


supporting your precision

## ZC420 0.25MOA DATASHEET



Abmaß	A	B	C	D	E	F	G	H	I	J	K	L
[mm]	94	40	53	62,5	79	57	36	28,7	27	45,75	48,5	328
[inch]	3.58	1.57	2.09	2.46	3.1	2.24	1.42	1.13	1.06	1.8	1.9	12.8

Magnification	4-20
Objective diameter (mm)	50
Exit pupil (mm)	10-9-2.5
Field of view max. / min. (m/100m)	9.3'-2'
Field of view (ft/100Yds.)	28'-6'
Eye relief (mm)	>90 mm
Lighttransmission (%)	92%
Reticle image plane	1.
Diopter adjustment (Dpt.)	-3 / 2
Main tube diameter (mm)	36 mm
Length (mm)	328 mm
Weight (g)	1036g
Elevation adjustment MOA /100m	120
Windage adjustment MOA /100m	68
Click value MOA /100m	0.250
Turret rotation	CCW
Filter thread Objective (mm)	M54x0.75
Impermeability	4 m water depth
Temperature Function (C°)	-25°/60°
Illuminated color	Red / Green
Locking Elevation / Windage	Elevation & Windage
AIM- automatic illumination management	Yes (after 2 mins or depending on position/directionality; after 2 hours complete shutdown)
Power supply	CR2032

[www.zcompoptic.com](http://www.zcompoptic.com)

2023 © Zero Compromise Optic GmbH | All rights reserved. No guarantee for correctness and accuracy of the information contained.

### Headquarter

Bäckerstraße 1  
2433 Margarethen am Moos, Austria  
+43 2230 20270-134  
sales-international@zcompoptic.com

### North America

9190 Lower Fords Creek Rd  
Orofino, ID 83544  
(208)-435-4000  
sales@zcompoptic.com