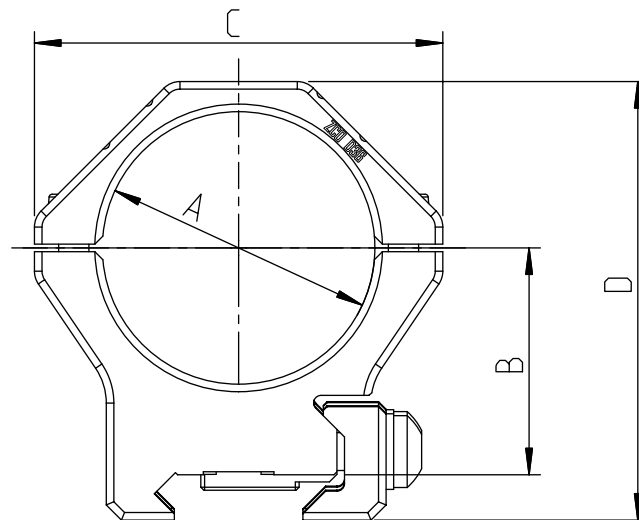
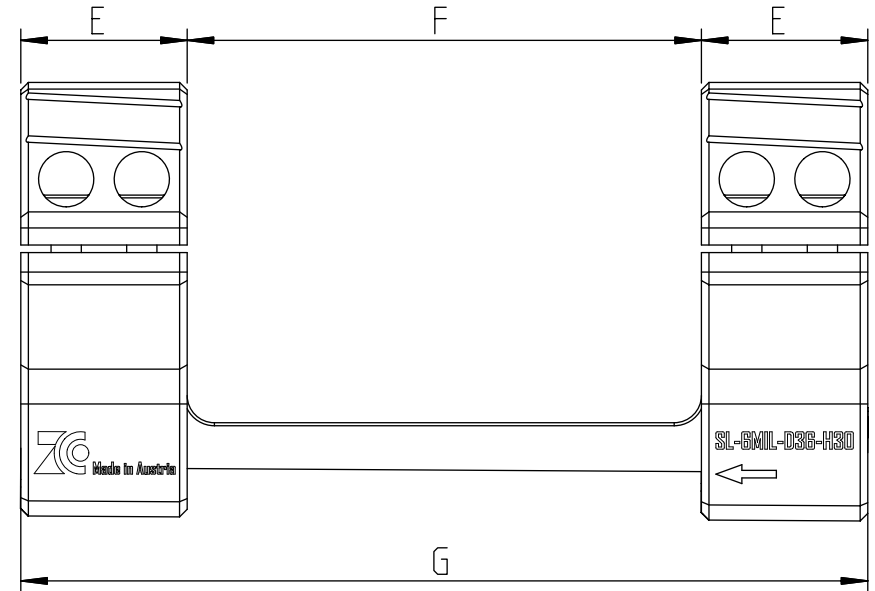
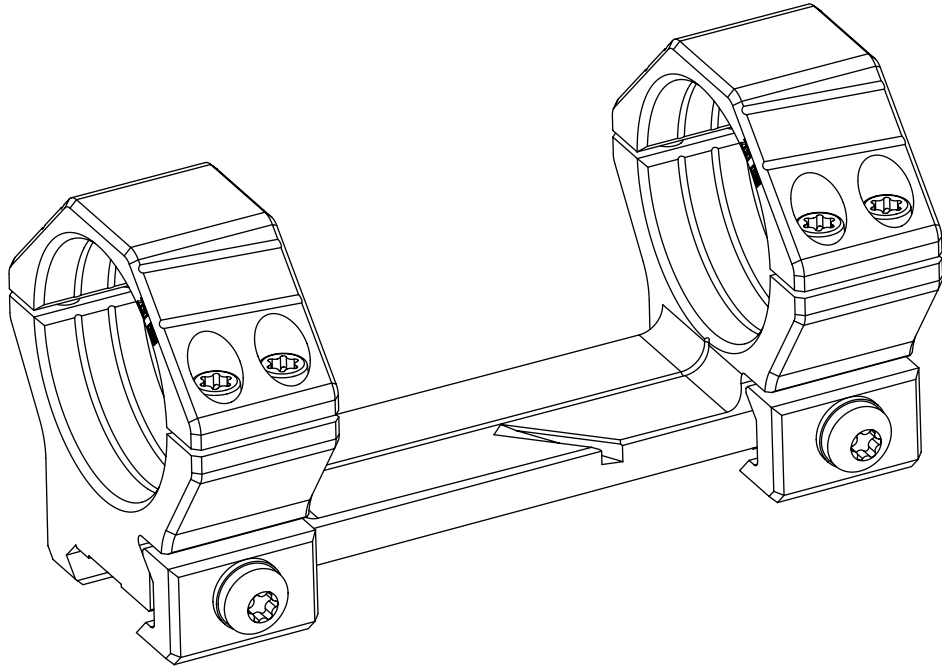


supporting your precision

# ZCO SL-6MIL-D36-H30

DATENBLATT



Abmaß	A	B	C	D	E	F	G
[mm]	36	30	54	58	22	68	112

Bestellnummer	Montage
400-0397-SL-6MIL-D36-H30	20.6MOA

Technische Details	
Gewicht	192g
Befestigungsart	Picatinny-Schiene
Material	EN AW-7075

[www.zcompoptic.com](http://www.zcompoptic.com)

2023 © Zero Compromise Optic GmbH | All rights reserved. No guarantee for correctness and accuracy of the information contained.

**Headquater**

Bäckerstraße 1  
2433 Margarethen am Moos, Austria  
+43 2230 20270-134  
sales-international@zcompoptic.com

**North America**

9190 Lower Fords Creek Rd  
Orofino, ID 83544  
(208)-435-4000  
sales@zcompoptic.com